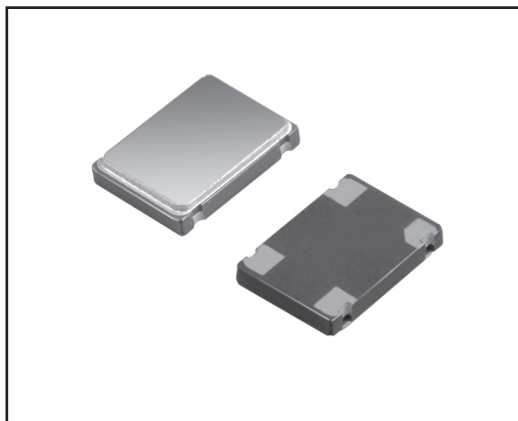


# 5x7 SMD OSCILLATOR(HCOMS/TTL)



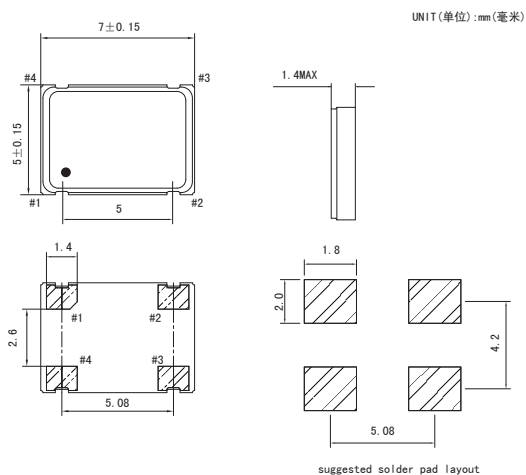
## Part Number Guide

T (Type型号): 0=5X7X1.4mm Max ceramic osc  
 V (Input Voltage输入电压): 1.8=1.8V 2.5=2.5V 2.85=2.85V 3=3.3V 5=5.0V, etc  
 S (Symmetry占空比): 5=45/55max 6=40/60 max  
 F (Frequency标称频率)  
 FS (Frequency Stability频率稳定性): 50=±50 ppm, etc  
 OT (Operating Temperature工作温度): 0070= 0°C to +70°C 3080= -30°C to +80°C, etc  
 OP (Out put输出) 1=15PF HCMOS 2=10TTL 3=30PF 4=50PF (5.0V only) 5=10TTL/ 15PF  
 TR (Tape and Reel编带)  
 S (Special Requirement特殊要求)

## Electrical Specifications 电气参数

型号	Holder Type	5x7mm SMD OSCILLATOR
频率范围	Frequency Range	1.000 Mhz to 150.000 Mhz
总频差	Frequency Stability	±25ppm to ±50ppm
输入电压	Supply Voltage	5.0V or 3.3V ±10%
工作温度范围	Operating Temperature Range	-10°C - +60°C to -40°C - +85°C
储存温度范围	Storage Temperature Range	-40°C - +85°C/-55°C - +125°C
占空比	Symmetry (Duty Cycle)	40/60 Standard
输出	Output Load	10 TTL or 15pf Hcoms
消耗电流	Current Consumption (15pf only)	1.000Mhz - 35.999Mhz=25mA max
	(5.0V)	36.000Mhz - 69.999Mhz=60mA max 70.000Mhz - 150.000Mhz=80mA max
	Current Consumption (15pf only)	1.000Mhz - 35.999Mhz=20mA max
	(1.8V 2.5V 2.85V 3.3V)	36.000Mhz - 69.999Mhz=40mA max 70.000Mhz - 150.000Mhz=60mA max
上升/下降时间	Rise/Fall Time	10nS max

## Mechanical Dimensions 外型尺寸



PIN	FUNCTION
1	N/C or Tri-state
2	Ground
3	Output
4	Vdd