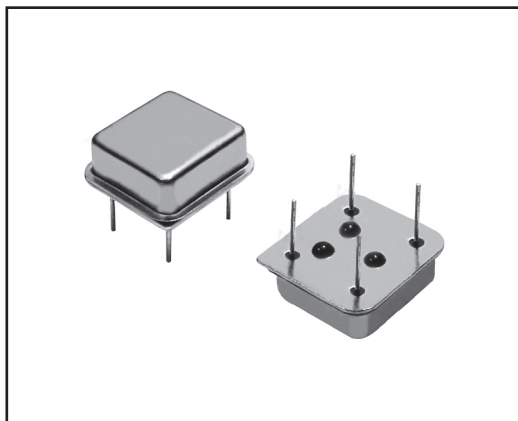


HALF SIZE (8PIN) OSCILLATOR



Part Number Guide

T (Type型号): QB=HALF SIZE (8PIN) OSCILLATOR

V (Input Voltage输入电压): 3=3.3V 5=5.0V, etc

S (Symmetry占空比): 5=45/55max 6=40/60 max

F (Frequency标称频率)

FS (Frequency Stability频率稳定性): 50=±/−50 ppm, etc

OT (Operating Temperature工作温度): 0070= 0°C to +70°C 3080= −30°C to +80°C, etc

OP (Output输出): 1=15PF HCMOS 2=10TTL 3=30PF 4=50PF (5.0V only) 5=10TTL/ 15PF

TU (Tube摆管)

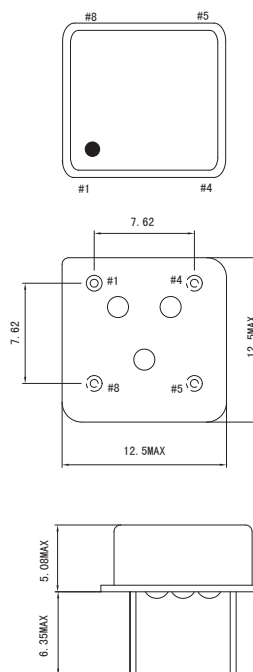
S (Special Requirement特殊要求)

Electrical Specifications 电气参数

型号	Holder Type	HALF SIZE (8PIN) OSCILLATOR
频率范围	Frequency Range	1.000 Mhz to 150.000 Mhz
总频差	Frequency Stability	±25ppm to ±50ppm
输入电压	Supply Voltage	5.0V or 3.3V ±10%
工作温度范围	Operating Temperature Range	−10°C - +60°C to −40°C - +85°C
储存温度范围	Storage Temperature Range	−40°C - +85°C/−55°C - +125°C
占空比	Symmetry (Duty Cycle)	40/60 Standard
输出	Output Load 5.0 V	10 TTL or 15pF Hcmos
	Output Load 3.3 V	10 TTL or 15pF Hcmos
消耗电流	Current Consumption 5.0V (15pf only)	1.000Mhz - 35.999Mhz=25mA max
		36.000Mhz - 69.999Mhz=60mA max
		70.000Mhz - 150.000Mhz=80mA max
	Current Consumption 3.3V (15pf only)	1.000Mhz - 35.999Mhz=20mA max
		36.000Mhz - 69.999Mhz=40mA max
		70.000Mhz - 150.000Mhz=60mA max
上升/下降时间	Rise/Fall Time	10nS max

Mechanical Dimensions 外型尺寸

UNIT (单位): mm (毫米)



PIN	FUNCTION
1	N/C or Tri-state
4	Ground
5	Output
8	Vdd