

2x6 TUNING FORK(MHZ)



Part Number Guide

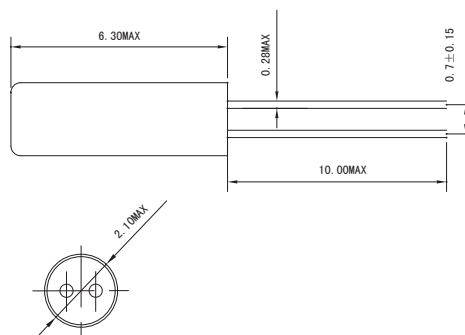
T (Type型号): 206=2 × 6 Tuning Fork
 M (Mode of Operation振荡模式): F=Fundamental
 F (Frequency标称频率)
 LC (Load Capacitance负载电容): 20=20pf 00=series, etc
 FT (Frequency Tolerance 调整频差): 30=+/-30 PPM, etc
 FD (Frequency Drift温度频差): 50=+/-50 PPM, etc
 OT (Operating Temperature工作温度) 1060=-10°C to +60°C 4085=-40°C to +85°C, etc
 ESR (Equivalent Series Resistance等效阻抗)
 TR (Tape and Reel编带)
 S (Special Requirement特殊要求)

Electrical Specifications 电气参数

型号	Holder Type	Turning Fork 206 (MHZ)
频率范围	Frequency Range	6MHZ-30MHZ
调整频差范围	Frequency Tolerance (ΔF) (at 25°C)	± 10 ppm to ± 50 ppm Maximum
工作温度范围	Operating Temperature Range	-10°C to +60°C to -40°C to +85°C
老化	Aging (at 25°C)	± 5 ppm/ year Maximum
保存温度范围	Storage Temperature Range	-40°C to +85°C
静电容	Shunt Capacitance (C0)	5.0pF Typ
激励功率	Drive Level	1uW Maximum
绝缘阻抗	Insulation Resistance (Rs)	500 M Ω ATDC100V Min
负载电容	Load Capacitance (CL)	12pF, 16pF, 20pF or Customer specify

Mechanical Dimensions 外型尺寸

UNIT (单位): mm (毫米)



Equivalent Series Resistance and Mode of Operation 等效阻抗和振荡模式

Frequency Range 频率范围	ESR (Ω) 等效阻抗	Mode 振荡模式
6.000-9.999MHz	120max	基频Fundamental
10.000-19.999MHz	100max	Fundamental
20.000MHz-30.000MHz	80max	Fundamental

Temperature Range	Frequency Stability					
	+/-10ppm	+/-15ppm	+/-20ppm	+/-25ppm	+/-30ppm	+/-35ppm
-10°C +60°C	✓	✓	✓	✓	✓	✓
-20°C +70°C	✓	✓	✓	✓	✓	✓
-40°C +85°C		✓	✓	✓	✓	✓