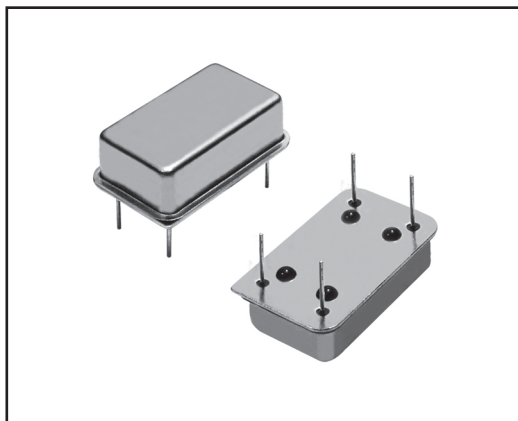


FULL SIZE (14PIN) TCXO



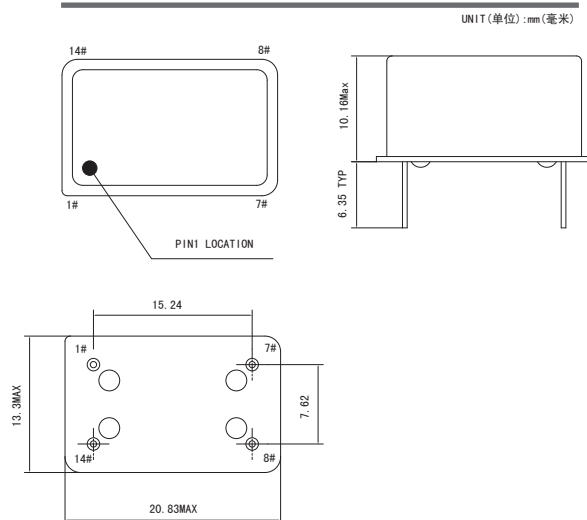
Part Number Guide

T (Type型号): TQ=FULL SIZE (14PIN) TCXO
 V (Input Voltage输入电压): 3=3.3V 5=5.0V, etc
 F (Frequency标称频率)
 OT (Operating Temperature工作温度): 0070= 0°C to +70°C 3080= -30°C to +80°C, etc
 TU (Tube摆管)
 S (Special Requirement特殊要求)

Electrical Specifications 电气参数

型号	Holder Type	FULL SIZE (14PIN) TCXO
频率范围	Frequency Range	2 to 30MHz
25°C频率偏差	Initial Frequency Tolerance @25°C	±1.5 ppm
频率稳定性	Frequency Stability Over Operating Temperature	±2.0 ppm
老化率	Aging 10 years	±2.0 ppm
输入电压	Input Voltage	5.0±5% V
输入电流	Input Current	20mA Max
占空比	Symmetry (Duty Cycle)	40 - 60 %
上升时间	Rise Time	9Max ns
下降时间	Fall Time	8Max ns
高电平	Logic "1" Level	4.5Min V
低电平	Logic "0" Level	0.5Max V
开始时间	Output Type	20Max ms V
振幅	Output Level	0.8pk - pk min V
控制电压	Control Voltage	0.5 - 4.5 V
相位噪声	Phase Noise(Typical)	10Hz 100Hz 1kHz 10kHz 100kHz
		-70 -95 -120 -145 -150 dBc/Hz

Mechanical Dimensions 外型尺寸



Pin Connection

PIN	FUNCTION
1	Control
7	GROUND
8	Output
14	Vdd