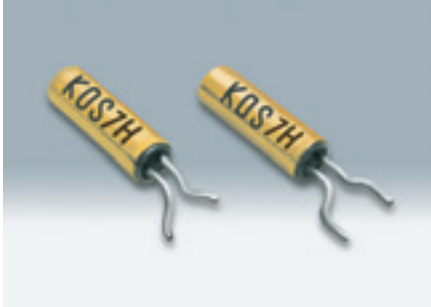


SMD Tuning Fork Crystal Resonators / kHz Band Crystal Resonators

SM-26F



Actual size 

Features

- A tuning fork crystal resonator with formed leads.
- Suitable for automatic mounting and reflow soldering.
- Suitable for mobile telecommunications as well as many other applications.

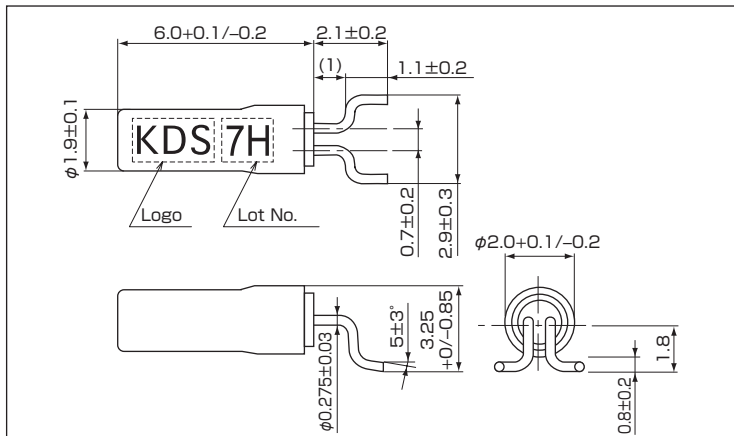
Standard Specification

Item	Type	SM-26F
Frequency Range		32.768kHz (30~100kHz) ※
Load Capacitance		12.5pF ※
Drive Level		1.0μW (2.0μW max.)
Frequency Tolerance		±30×10 ⁻⁶ (at 25°C) ※
Series Resistance		50kΩ max. ※
Turnover Temperature		+25±5°C
Two Dimensional Temperature Constant		-0.04×10 ⁻⁶ /°C ² max.
Operating Temperature Range		-40~+85°C
Storage Temperature Range		-40~+85°C
Shunt Capacitance		1.1 pF Typ.
Packing Unit		2500pcs./reel (φ330)

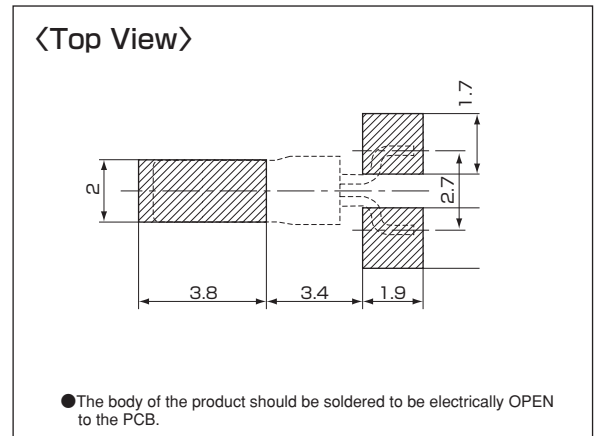
(※) The specifications are the same as those of the DT-26 and DT-261 tuning fork resonators, as the design is based on these resonators. (Refer to page 35.)

Consult our sales representative for other specifications.

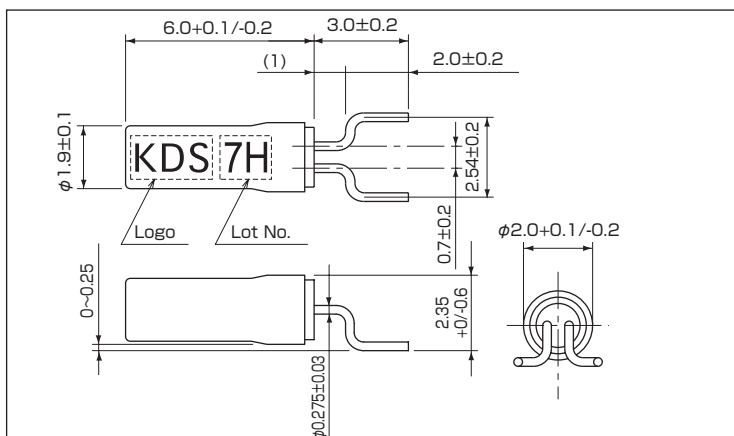
Dimensions (TYPE A) [mm]



Recommended Land Pattern (TYPE A) [mm]



Dimensions (TYPE B) [mm]



Recommended Land Pattern (TYPE B) [mm]

