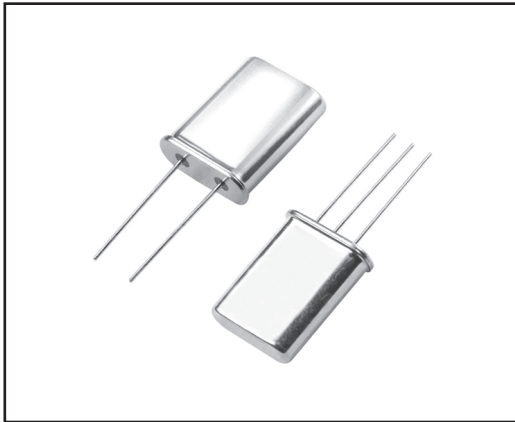


# HC-49U Crystal



## Part Number Guide

T (Type 型号): U=HC - 49U, 2 Leads with height of 13.2mm Max  
 U2=HC - 49T, 2 Leads with height of 10.35mm Max  
 UB=HC - 49U, 3 Leads with height of 13.2mm Max  
 UB2=HC - 49T, 3 Leads with height of 10.35mm Max

M (Mode of Operation 振荡模式): F=Fundamental T=Third Overtone, etc  
 F (Frequency 标称频率)

LC (Load Capacitance 负载电容): 20=20pf 00=series, etc  
 FT (Frequency Tolerance 调整频差): 30=+/-30 PPM, etc  
 FD (Frequency Drift 温度频差): 50=+/-50 PPM, etc  
 OT (Operating Temperature 工作温度): 1060=-10°C to +60°C 4085=-40°C to +85°C, etc  
 ESR (Equivalent Series Resistance 等效阻抗)

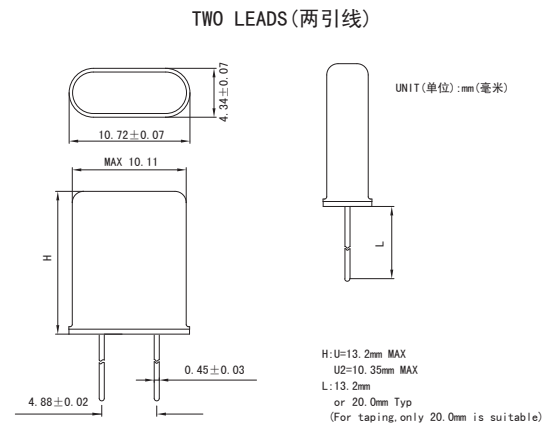
TR (Tape and Reel 编带)

S (Special Requirement 特殊要求)

## Electrical Specifications 电气参数

型号	Holder Type	HC - 49U
频率范围	Frequency Range	1.84320 to 100 MHz
调整频差	Frequency Tolerance ( $\Delta F$ ) (at 25°C)	$\pm 10$ ppm to $\pm 100$ ppm
温度频差	Frequency Drift	$\pm 10$ ppm to $\pm 100$ ppm
工作温度范围	Operating Temperature Range	-10°C - +60°C to -40°C - +85°C
储存温度范围	Storage Temperature Range	-40°C - +85°C / -55°C - +125°C
老化	Aging (25°C)	$\pm 5$ ppm/year Maximum
静电容	Shunt Capacitance (C0)	7pF maximum
激励功率	Drive Level	100uW Typical
绝缘阻抗	Insulation Resistance (Rs)	500 Megaohms Minimum at D.C.100V
负载电容	Load Capacitance (CL)	Suggested by customer

## Mechanical Dimensions 外型尺寸



## Equivalent Series Resistance and Mode of Operation 等效阻抗和振荡模式

Frequency Range 频率范围	ESR ( $\Omega$ ) 等效阻抗	Mode 振荡模式
1.8432 to 1.999 MHz	500Max	基频 Fundamental
2.000 to 2.456 MHz	450Max	Fundamental
2.457 to 2.999 MHz	350Max	Fundamental
3.000 to 3.999 MHz	90Max	Fundamental
4.000 to 4.999 MHz	70Max	Fundamental
5.000 to 7.999 MHz	60Max	Fundamental
8.000 to 9.999 MHz	30Max	Fundamental
10.000 to 50.000 MHz	25Max	Fundamental
24.000 to 100.000 MHz	40Max	三次泛音 Third Overtone

