

# 1C Series 2.0 x 1.6 mm SMD Crystal Oscillator

## Feature

- Ultra Miniature Ceramic surface mount with Metal Lid
- CMOS compatible logic levels
- Tri-state function available
- Supply voltage range : 1.62V ~ 3.63V(Compatible with 1.8V, 2.5V, 3.3V)
- RoHS Compliant / Pb Free

## Applications

- Wireless Devices
- Internet of Things (IoT) devices
- Ethernet/Gigabit Ethernet
- Audio, Video, Gaming products
- Micro base station



## Electrical Specifications

Item	Symb.	Min.	Typ.	Max.	Unit	Notes
Frequency Range	Freq.	1.000		54.000	MHz	
Operating Temperature	T_use	-20		70	°C	
		-40		85	°C	
Storage Temperature Range	T_stg	-55		125	°C	
Supply Voltage	Vdd	1.62	1.8/2.5/3.3	3.63	V	
Output Load	L_CMOS		15		pF	
Current Consumption	Icc			10	mA	1MHz ≤ Freq. < 40MHz
				20		40MHz ≤ Freq. ≤ 54MHz
Duty Cycle	SYM	45		55	%	50 % Vdd level, L_CMOS ≤ 15 pF
Rise / Fall Time	T <sub>R</sub> / T <sub>F</sub>			5	nS	10% Vdd to 90% Level
Start-up Time	T_str			5	mS	To 90% of Final Amplitude
High output voltage	V <sub>OH</sub>	0.9Vdd			V	
Low output voltage	V <sub>OL</sub>			0.1Vdd	V	
Enable Voltage High (Logic 1)	V <sub>IH</sub>	0.7Vdd			V	Output will be disable if OE is Logic 0 Output will be enable if OE is Logic 1 or open
Enable Voltage Low (Logic 0)	V <sub>IL</sub>			0.3Vdd	V	
Aging	f_age			3	ppm	1st. Year at 25°C

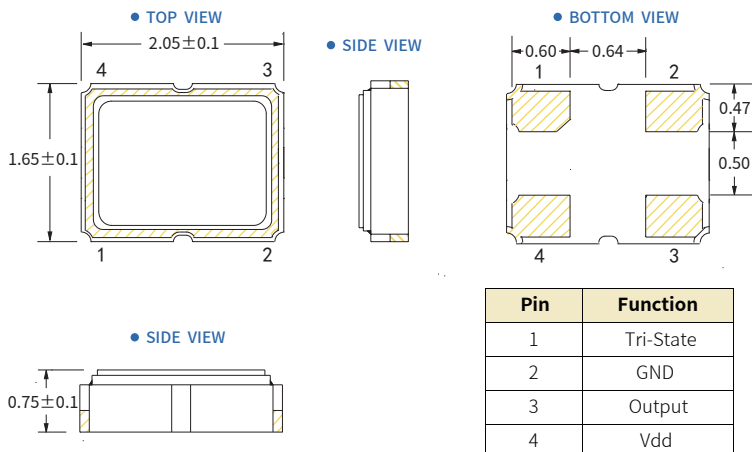
## Frequency Stability & Operating Temperature Range

Temp.	FT	±20ppm	±25ppm	±30ppm	±50ppm
-20°C to +70°C		△	★	★	★
-40°C to +85°C			△	★	★

★: Available    △: Conditional

All condition: Include 25°C tolerance, operating temperature range, input voltage change, aging, load change.

## Dimensions (UNIT:mm)



## Solder pad layout (UNIT:mm)

