

TF1610 Series 1.6 x 1.0 mm TUNING FORK Crystal

TF : TUNING FORK Crystal

1610 : 1.6×1.0×0.5 mm | SMD1610-2P

Feature

- Ultra Miniature Ceramic surface mount with Metal Lid
- Package Size: 1.6 x 1.0 x 0.5mm max
- Low Aging, Low Power Consumption, high reliability characteristics
- RoHS Compliant / Pb Free

Applications

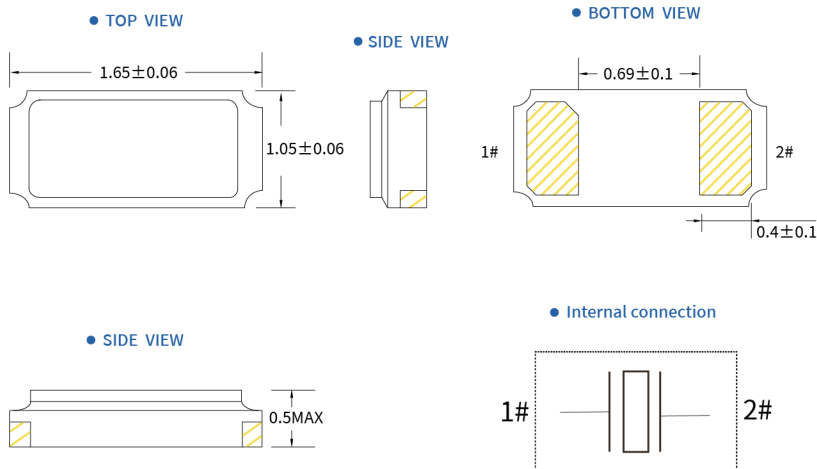
- Real Time Clock
- Portable Electronics
- Smart Meters
- Communication Electronics
- IoT Devices



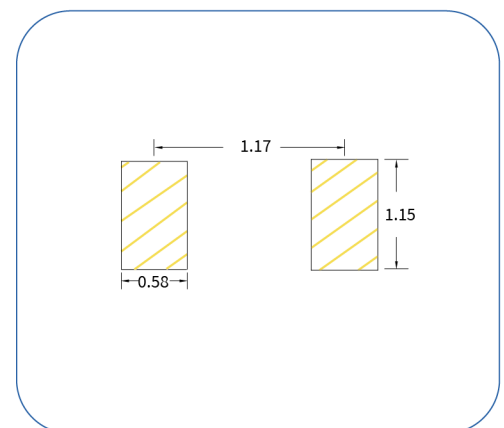
Electrical Specifications

Item	Symb.	Electrical spec.	Notes
Nominal Frequency	Freq.	32.768KHz	
Operating Temperature	T _{use}	-40°C~+85°C	
Storage Temperature Range	T _{stg}	-55°C~+125°C	
Oscillation Mode		Fundamental	
Frequency Tolerance	f _{tol}	±10ppm / ±20ppm	at 25°C±3°C
Turnover Temperature	T _i	+25°C±5°C	
Parabolic curvature constant	B	-0.042ppm/(Δ°C) ² max.	Over Operating Temp. Range (Reference 25°C)
Drive Level	DL	0.5 μW Max.	
Load Capacitance	CL	6pF;7pF;9pF;12.5pF	
Effective Resistance	RR	90kΩ max.	
Aging	f _{age}	±3 ppm Max.	1st.Year at 25°C

Dimensions (UNIT:mm)



Solder pad layout (UNIT:mm)



TF1610 Series 1.6 x 1.0 mm TUNING FORK Crystal

TF : TUNING FORK Crystal

1610 : 1.6×1.0×0.5 mm | SMD1610-2P

Options and Part Identification : Example SXTF161032768A20F

Company	Ceramic Package	Effective Resistance	Frequency Code [KHz]	Load Capacitance	Frequency Tolerance	Operating Temperature
SX	TF1610		32768	A	20	F
↓	↓	↓	↓	↓	↓	↓
Code Company		Code Effective Resistance	Frequency		Code Frequency Tolerance	
SX SCTF		Blank Standard	32.768		10 ±10ppm 20 ±20ppm	
	Code Ceramic Package			Code Load Capacitance		Code Operating Temperature
	TF1610 1.6×1.0×0.5mm TF2012 2.0×1.2×0.6mm TF3215 3.2×1.5×0.8mm TF7015 7.0×1.5×1.4mm			A 12.5pF G 9pF C 7pF D 6pF		E -20°C ~ +70°C F -40°C ~ +85°C

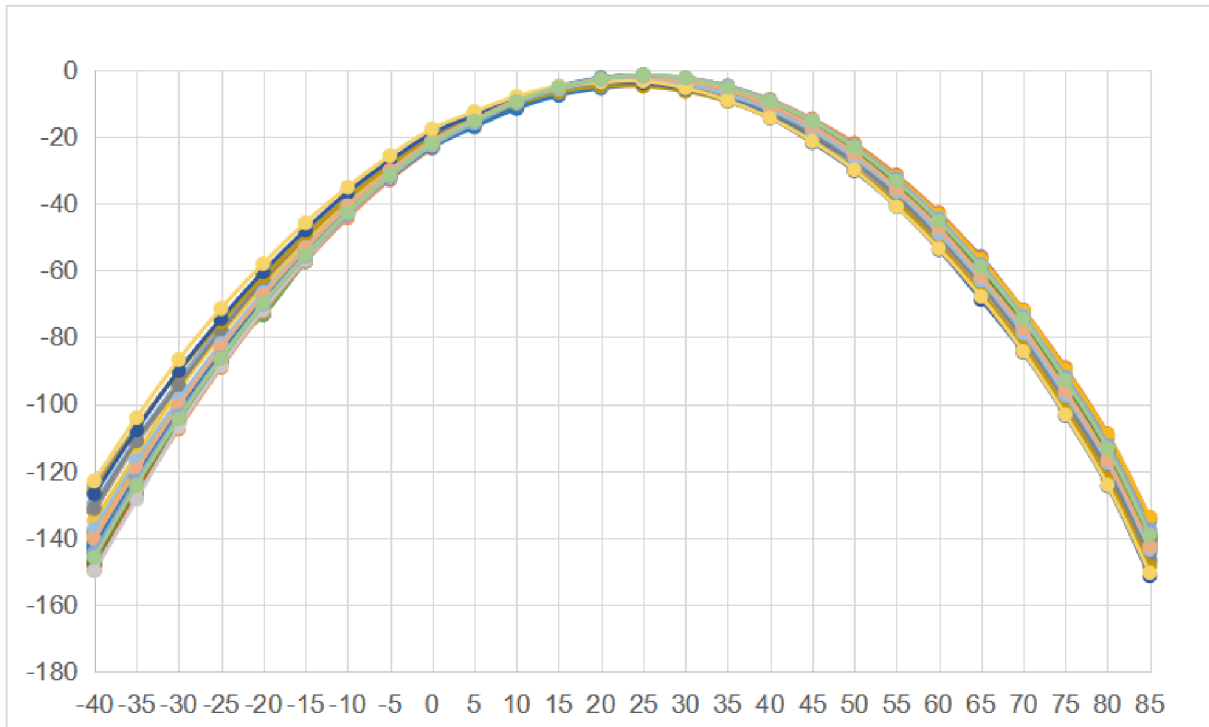
If you have other parameter requirements, you can contact **SCTF** at any time.

TF1610 Series 1.6 x 1.0 mm TUNING FORK Crystal

TF : TUNING FORK Crystal

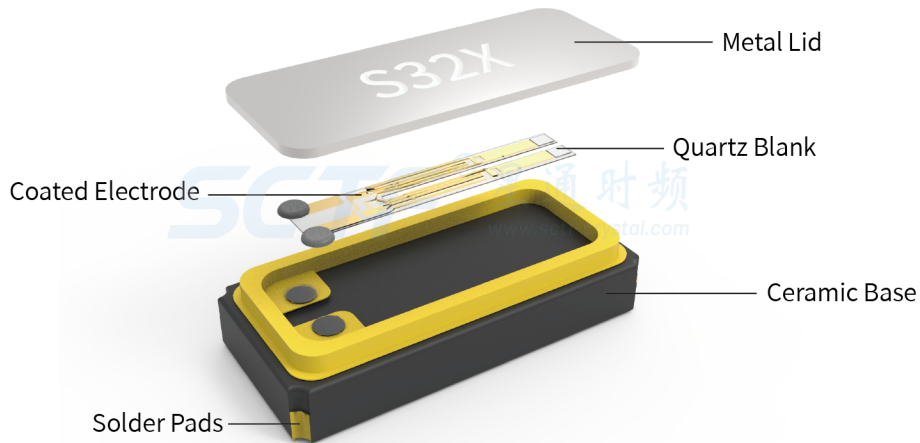
1610 : 1.6×1.0×0.5 mm | SMD1610-2P

Frequency Temperature Characteristics

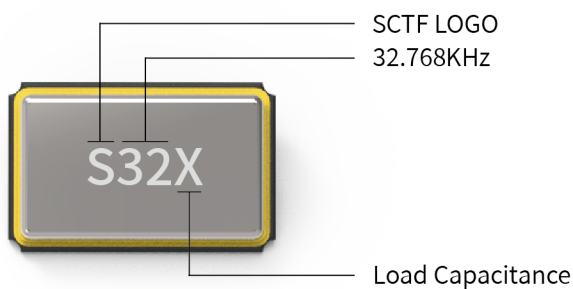


Product Structure & Marking Information

Product Structure



Marking Information



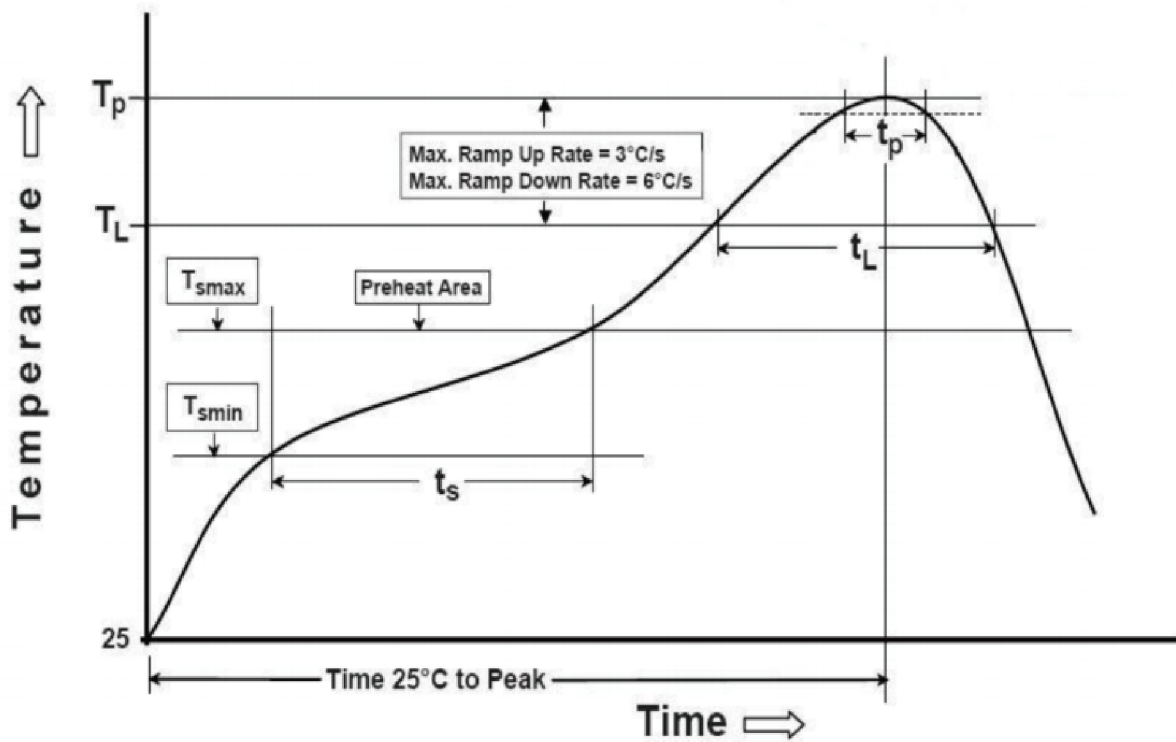
*	Load Capacitance(CL)
A	12.5pF
C	7pF
D	6pF
G	9pF

TF1610 Series 1.6 x 1.0 mm TUNING FORK Crystal

TF : TUNING FORK Crystal

1610 : 1.6×1.0×0.5 mm | SMD1610-2P

Suggested Reflow Profile



Profile Feature	Sn - Pb Eutectic Assembly	Preheat / Soak
Preheat / Soak <ul style="list-style-type: none"> ● Temperature Min (T_s min) ● Temperature Max (T_s max) ● Time (T_s min to T_s max) 	100°C 150°C 60-120 seconds	150°C 200°C 60-120 seconds
Ramp - up rate (T _L to T _p)	3°C/ second max.	3°C/ second max.
Time maintained above <ul style="list-style-type: none"> ● Liquidous temperature (T_L) ● Time (t_L) maintained above T_L 	183°C 60-150 seconds	217°C 60-150 seconds
Peak package body temperature (T _p)	235°C	260°C
Time within 5° C of the specified classification temperature (T _p)	20 seconds	30 seconds
Ramp - down rate (T _p to T _L)	6°C/ second max.	6°C/ second max.
Time 25° C to peak temperature	6 minutes max.	8 minutes max.
Suggest reflow times	2 Times max.	

更新日期：2024年4月7日

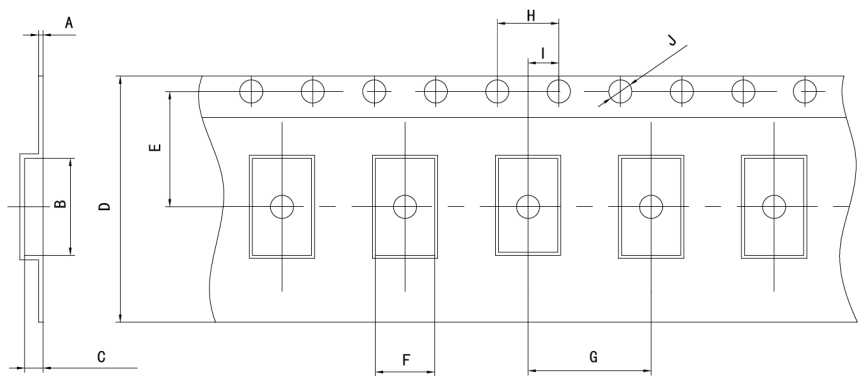
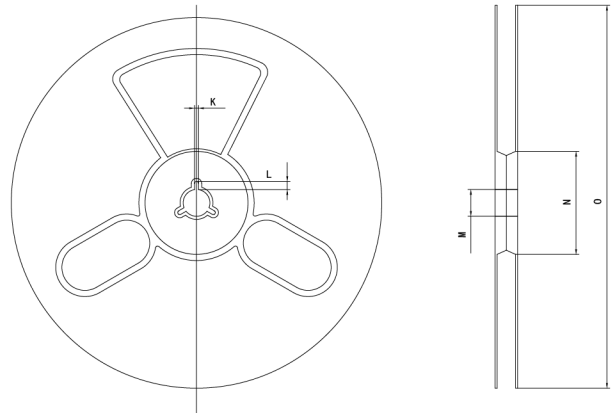
TF1610 Series 1.6 x 1.0 mm TUNING FORK Crystal

TF : TUNING FORK Crystal

1610 : 1.6×1.0×0.5 mm | SMD1610-2P

Packaging Information

T=Tape and reel (3,000pcs/reel)



Pocket Tape Dimensions(mm)

Series	A	B	C	D	E	F	G	H	I	J	K	L	M	N	O
TF1610	0.20±0.05	1.78±0.05	0.65±0.1	8.0±0.3	3.5±0.1	1.15±0.1	4±0.1	4.0±0.1	2.0±0.1	φ1.5±0.1	2.0±0.2	4.0±1.0	φ13±0.5	φ60±1	φ180±1