

0X Series 1.6 x 1.2 mm SMD Crystal

0 : 1.6×1.2×0.35 mm | SMD1612-4P

X : Crystal Resonator

Feature

- AT-cut Crystal Construction
- Ultra thin Seam sealed ceramic surface mount
- Package Size: 1.6 x 1.2 x 0.35 mm
- Pb-free and RoHS/Green compliant

Applications

- Audio Devices
- Portable devices
- Short-range Wireless module
- Computers, Modems, Microprocessors



Electrical Specifications

Item	Symb.	Min.	Typ.	Max.	Unit	Notes
Frequency Range	Freq.	24.000		54.000	MHz	
Oscillation Mode		Fundamental (AT-cut)				
Frequency Tolerance	$\Delta f/f$			± 10	ppm	at 25°C $\pm 2^\circ\text{C}$
Operating Temperature	T_use	-20		70	°C	
		-40		85	°C	
Storage Temperature Range	T_sta	-55		125	°C	
Shunt Capacitance	C0			3	pF	
Drive Level	DL		10	100	μW	
Load Capacitance	CL	6		20	pF	
Insulation Resistance	IR			500	M Ω	at DC 100V
Aging	f_age			3	ppm	1st. Year at 25°C

Frequency Stability & Operating Temperature Range

Temp. \ FT	$\pm 10\text{ppm}$	$\pm 15\text{ppm}$	$\pm 20\text{ppm}$	$\pm 30\text{ppm}$
-20°C to +70°C	Δ	★	★	★
-40°C to +85°C		Δ	★	★

★: Available Δ : Conditional

Equivalent Series Resistance

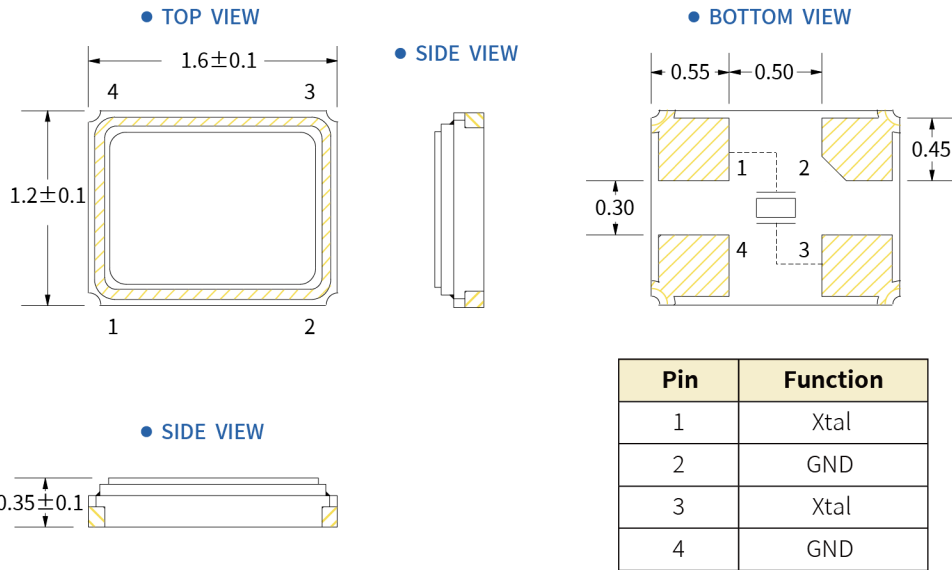
Frequency Range	ESR(Max.)
24MHz \leq Freq. < 32MHz	200 Ω
32MHz \leq Freq. < 36MHz	100 Ω
36MHz \leq Freq. \leq 54MHz	80 Ω

0X Series 1.6 x 1.2 mm SMD Crystal

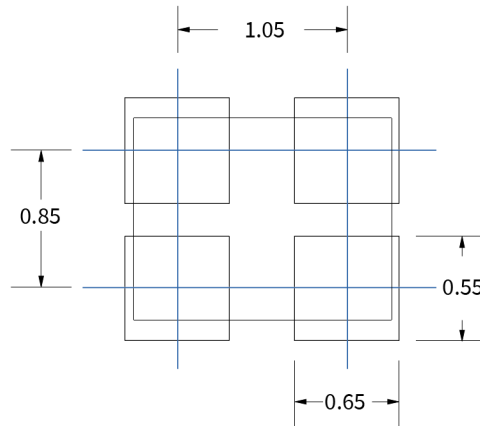
0 : 1.6×1.2×0.35 mm | SMD1612-4P

X : Crystal Resonator

Dimensions (UNIT:mm)



Solder pad layout (UNIT:mm)

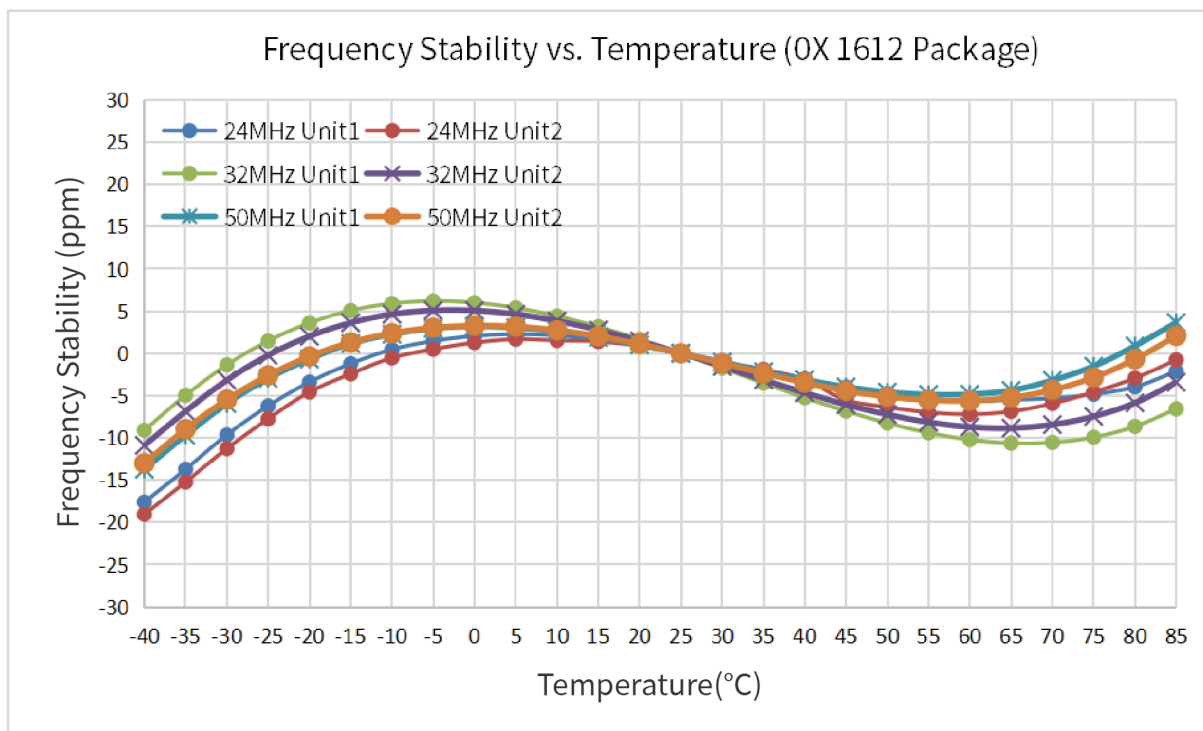


Options and Part Identification : Example SX0B24.000F1010F30

Company	Ceramic Package	Frequency Code [MHz]	Vibration Mode	Load Capacitance	Frequency Tolerance	Operating Temperature	Frequency Drift
SX	0B	X.XXX	F	10	10	F	30
Code Company	Code Ceramic Package	Frequency	Code Vibration Mode	Code Load Capacitance	Code Frequency Tolerance	Code Operating Temperature	Code Frequency Drift
SX SCTF	0B 1.6 x 1.2 x 0.35mm [4PAD]	24.000	F AT - Fundamental	S Please specify CL in pF or S for series	10 ±10ppm 20 ±20ppm	E -20°C ~ +70°C F -40°C ~ +85°C	10 ±10ppm 15 ±15ppm 20 ±20ppm 30 ±30ppm
	1B 2.0 x 1.6 x 0.45mm [4PAD]			06 6pF			
	2B 2.5 x 2.0 x 0.55mm [4PAD]			08 8pF			
	3B 3.2 x 2.5 x 0.7mm [4PAD]			10 10pF			
	5B 5.0 x 3.2 x 0.8mm [4PAD]			12 12pF			
	5A 5.0 x 3.2 x 0.8mm [2PAD]			20 20pF			
	7B 7.0 x 5.0 x 1.0mm [4PAD]						

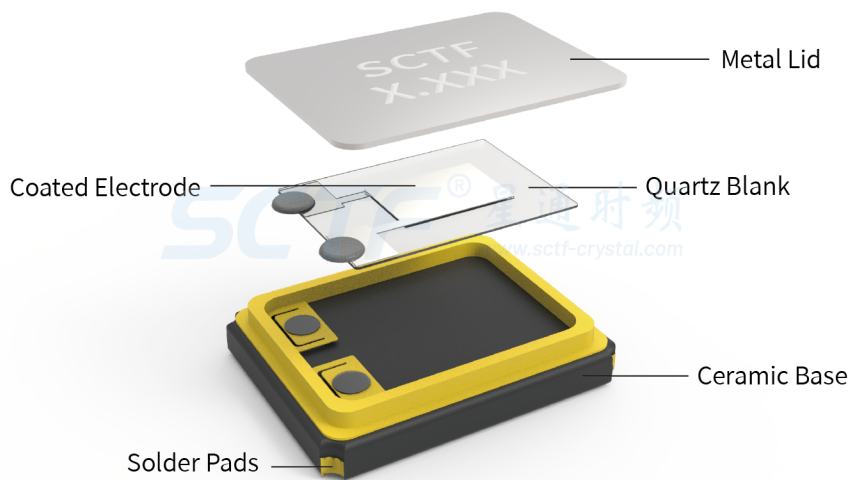
If you have other parameter requirements, you can contact **SCTF** at any time.

Frequency Temperature Characteristics

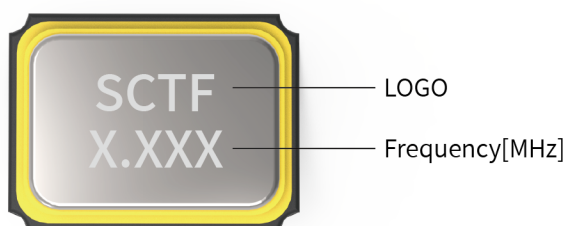


Product Structure & Marking Information

Product Structure



Marking Information

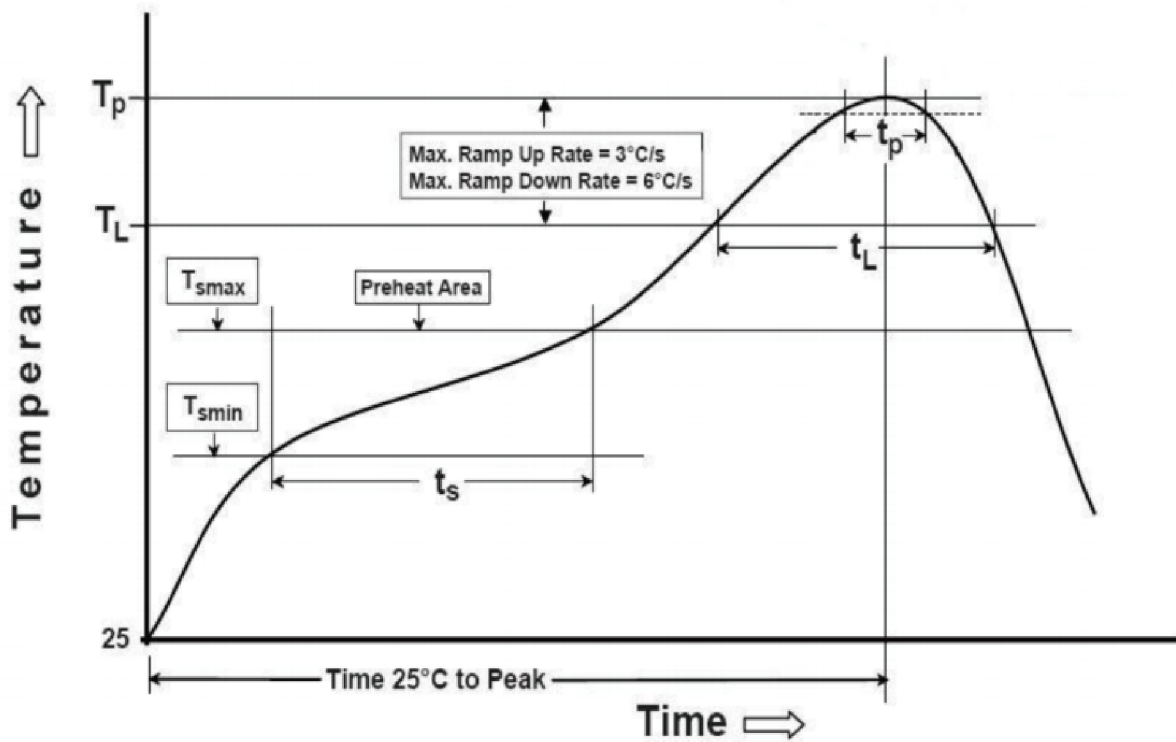


0X Series 1.6 x 1.2 mm SMD Crystal

0 : 1.6×1.2×0.35 mm | SMD1612-4P

X : Crystal Resonator

Suggested Reflow Profile



Profile Feature	Sn - Pb Eutectic Assembly	Preheat / Soak
Preheat / Soak <ul style="list-style-type: none"> ● Temperature Min (Ts min) ● Temperature Max (Ts max) ● Time (Ts min to Ts max) 	100°C 150°C 60-120 seconds	150°C 200°C 60-120 seconds
Ramp - up rate (TL to Tp)	3°C/ second max.	3°C/ second max.
Time maintained above <ul style="list-style-type: none"> ● Liquidous temperature (TL) ● Time (tL) maintained above TL 	183°C 60-150 seconds	217°C 60-150 seconds
Peak package body temperature (Tp)	235°C	260°C
Time within 5° C of the specified classification temperature (Tp)	20 seconds	30 seconds
Ramp - down rate (Tp to TL)	6°C/ second max.	6°C/ second max.
Time 25° C to peak temperature	6 minutes max.	8 minutes max.
Suggest reflow times	2 Times max.	

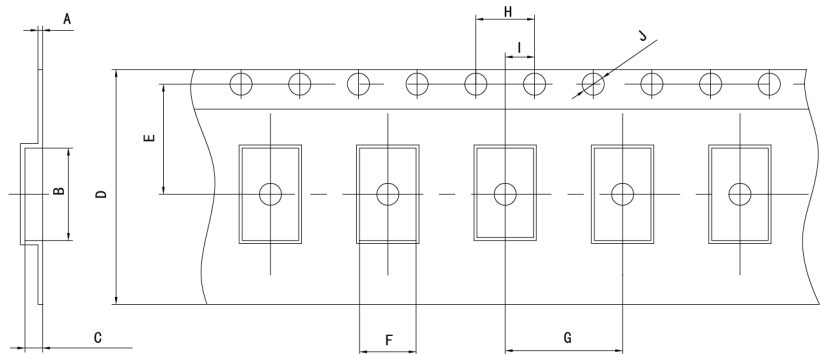
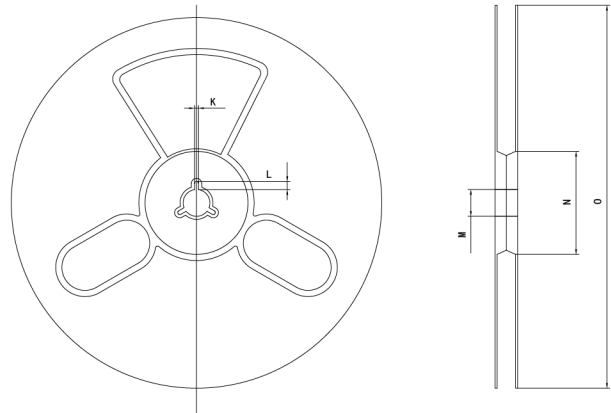
0X Series 1.6 x 1.2 mm SMD Crystal

0 : 1.6×1.2×0.35 mm | SMD1612-4P

X : Crystal Resonator

Packaging Information

T=Tape and reel (3,000pcs/reel)



Pocket Tape Dimensions(mm)

Series	A	B	C	D	E	F	G	H	I	J	K	L	M	N	O
0X	0.25±0.05	1.85±0.1	0.45±0.1	8.0±0.3	3.5±0.1	1.45±0.1	4.0±0.1	4.0±0.1	2.0±0.1	φ1.5±0.1	2.0±0.2	4.0±1.0	φ13±0.5	φ60±1	φ180±1

Common Frequencies – MHz

0X Series				
24.000	24.305	24.576	25.000	26.000
27.000	27.120	30.000	32.000	37.400
38.400	40.000	48.000	50.000	52.000
54.000				